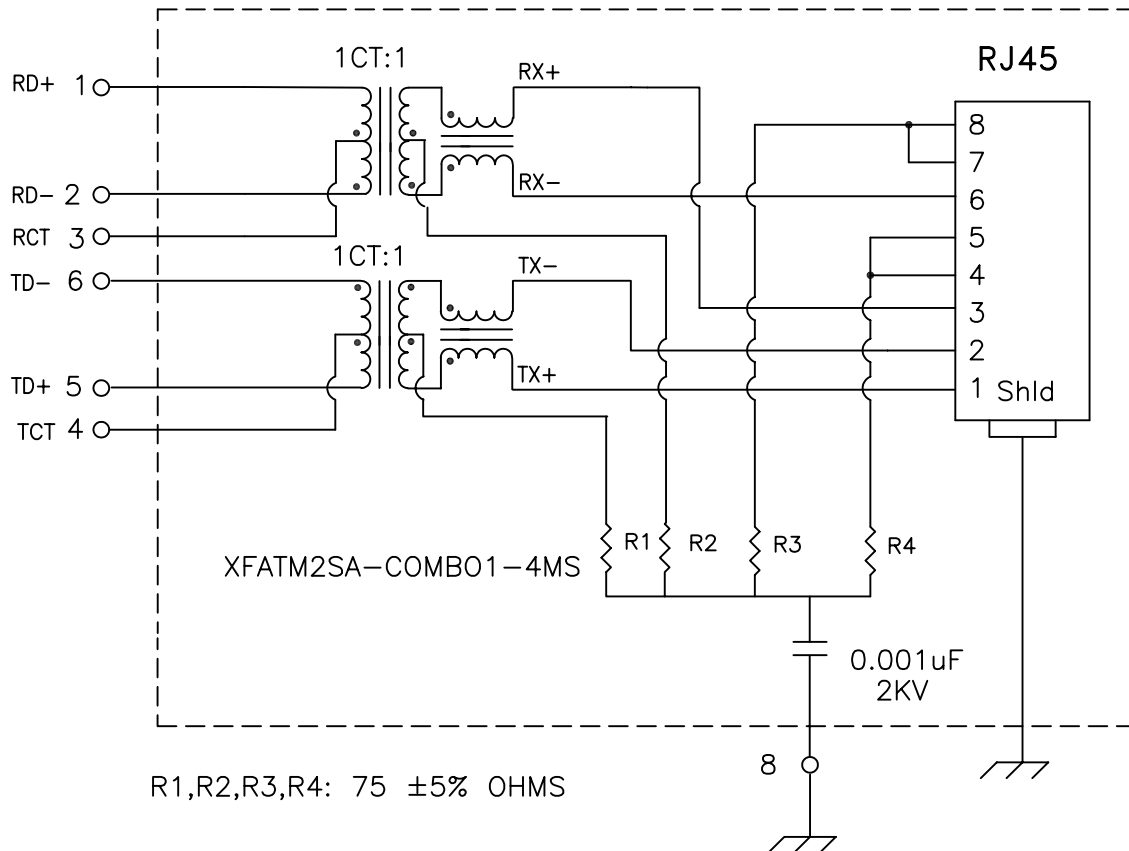


Schematic:



Electrical Specifications: @25°C

Isolation Voltage: 1500 Vrms (INPUT to OUTPUT)

UTP SIDE OCL: 350uH Min @100KHz 100mV 8mADC

Rise Time (10–90%): 2.5ns Typical

Insertion Loss (100KHz–999KHz): –1.0dB Maximum

(1.0MHz–15.0MHz): –0.3dB Maximum

(15.1MHz–60.0MHz): –0.6dB Maximum

(60.1MHz–100MHz): –1.1dB Maximum

Return Loss: (100KHz–60.0MHz): –18dB––15dB Minimum

(60.1MHz–80MHz): –15dB––12dB TYP

(80.1MHz–100MHz): –12dB––10dB TYP

Crosstalk: (100KHz–60MHz): –43dB Minimum

(60.1MHz–100MHz): –38dB Minimum

Common Mode to Differential Mode Rejection:

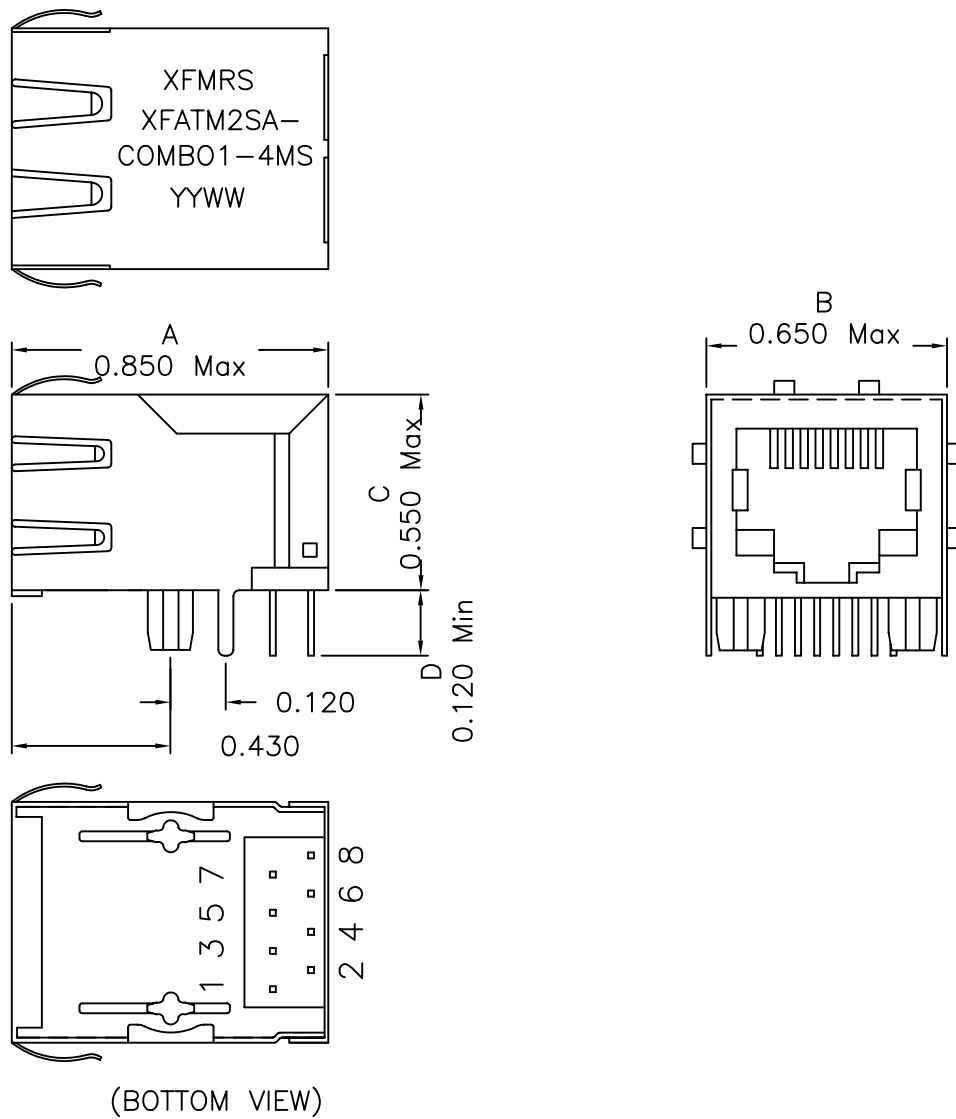
100KHz–60MHz –46dB Min (Tx) / –35dB Min (Rx)

60MHz–100MHz –42dB Min (Tx) / –33dB Min (Rx)

DOC. REV A/4

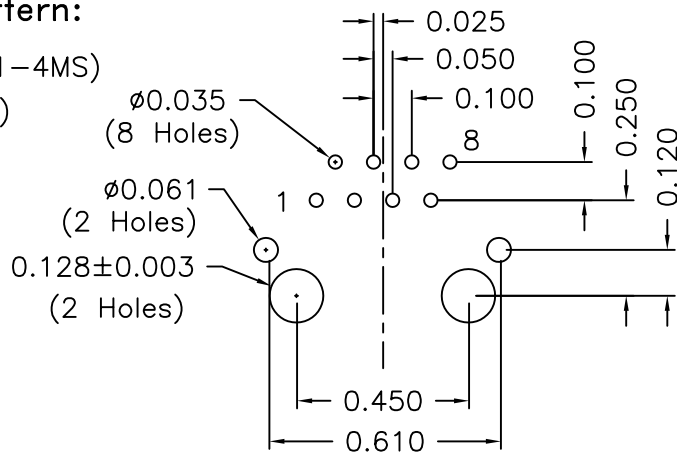
XFMRs Inc.	Title: SINGLE PORT COMBO		
	UNLESS OTHERWISE SPECIFIED TOLERANCES: .xxx \pm 0.010 Dimensions in Inch	XFATM2SA-COMBO1-4MS	REV. A
		DWN. 罗振江	May-28-03
		CHK. 廖玉坤	May-28-03
SHEET 1 OF 2	APP. Isaiah M	May-28-03	

Mechanical Dimensions:



Mounting Pattern:

(FOR COMBO1-4MS)
(COMP SIDE)



DOC. REV: A/4

XFMR5 Inc.	Title: Mechanical Dimensions For COMBO1-4MS Series		
	UNLESS OTHERWISE SPECIFIED TOLERANCES: .xxx ±0.010 Dimensions in Inch	P/N: XFATM2SA-COMBO1-4MS	REV. A
SHEET 2 OF 2	DWN.	罗振江	May-28-03
	CHK.	廖玉坤	May-28-03
	APP.	Isaiah M	May-28-03